



FX² Full Range / Coaxial



APPLICATIONS

Mini Fill
Entertainment Venues
Theaters
Cruise Ships
Houses of Worship

FEATURES

Full Range, Passive
Dual Coaxial Devices:
(2) 4" (101.6mm) Woofer
with 3/4" Silk Dome Tweeter
100° H x 140° V Coverage
Integrated Mounting Points
Black Polyurea Finish
Terminal Strip Connector

GENERAL DESCRIPTION

The Clair Brothers FX² is a full range, passive dual coaxial loudspeaker. FX² is compact (12.75" height, 6.25" width) and provides a streamlined solution for distributing audio in any small venue. The two coaxial drivers are mounted on individual baffle boards, one angled 30° compared to the other. This dual driver configuration also permits independent wiring configurations where amplitude shading and frequency-limited beam steering may become possible via DSP.

The FX²'s combination of form and function makes it the ideal choice for small theater fills, distributed paging and music systems, museum exhibits, conference rooms and more. Its curved front-face styling blends in with architectural features in your restaurant or club, while delivering high quality audio to a wide coverage area.

As with all Clair Brothers products, the FX² is constructed of the finest Baltic birch plywood with a durable polyurea finish coating to withstand the most demanding conditions. The speaker grille is constructed of perforated steel and backed with a high-grade reticulated foam.

The FX² has custom mounting and color options making it perfect for any project. When you need quality audio that complements any décor, the FX² is the smart choice.

OPTIONS & ACCESSORIES

FX²-SMB – Surface Mounting Bracket

Custom Mounting Brackets

Custom Colors Available

FX² Full Range / Coaxial



AUDIO SPECIFICATIONS

Loudspeaker Type	Passive	Full Range, Dual Coaxial
Frequency Response (+/- 2dB)	Single Cabinet -10 dB Point	82Hz–20kHz 70Hz
Recommended Power Amplifier		100W Peak @ 8 Ohms
Sensitivity (1 Watt @ 1 Meter)	Full Range	91 dB SPL
Maximum Output	Cont. Peak	103 dB SPL 106 dB SPL
Driver	Full Range / Coaxial	(2) 4 in. (101.6mm) Woofer with 3/4" Silk Dome Tweeter
Nominal Impedance ¹	Full Range ¹	4 Ohms ¹
Power Handling	Cont. Peak	50W 100W
Dispersion		100° H x 140° V
Input Connection ²	Standard Optional ²	(1) 2-Position Terminal Strip [Custom ²]

MECHANICAL SPECIFICATIONS

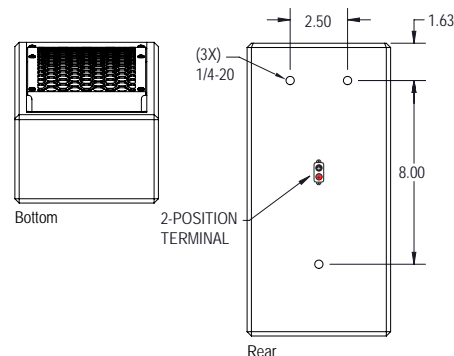
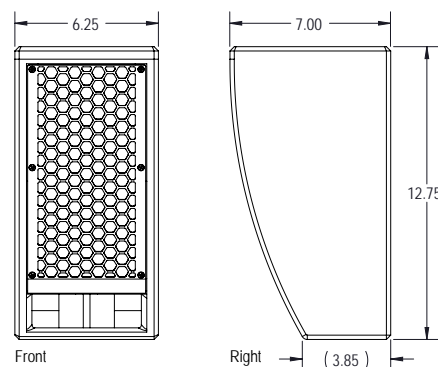
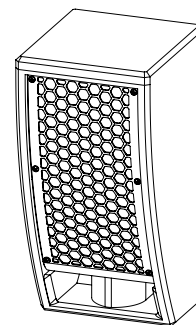
Enclosure	Shell Finish	12mm Baltic Birch Durable Polyurea Coating (black)
Grille		Perforated Steel, Foam Backed
Dimensions	Height Width Depth	12.75 in. (323.9mm) 6.25 in. (158.8mm) 7.00 in. (177.8mm)
Weight		8 lbs. (3.6kg)
Shipping Weight		TBD
Integrated Rigging		(3) 1/4-20 Mounting Points (rear)

¹ Other wiring configurations are available upon request.

² Other input connection locations and connector types are available as custom order.

Note: All wattage figures are calculated using the rated nominal impedance.

Clair Brothers products are designed to perform optimally by utilizing factory recommended proprietary DSP settings.



FX² Terminal Strip Configuration

Terminal Color	Use
Black	Full Range (-)
Red	Full Range (+)

ARCHITECT AND ENGINEER SPECIFICATIONS

The loudspeaker shall be a full range, passive coaxial system containing a total of two (2) 4 in. driver in an enclosure. Power handling capacity shall be 100 watts peak and 50 watts RMS continuous. The full range, coaxial drivers shall be 4 in. diameter capable of handling 50 watts of pink noise with a 6 dB crest factor for 8 hours (as per EIA RS-426-A standard). The pass-band frequency range shall be at minimum, 82Hz–20kHz with -10dB at 70Hz. The motor assembly shall have high thermal capacity and low thermal power compression characteristics. The enclosure shall be constructed of 12mm, 13-ply Baltic birch and be covered with a durable polyurea finish. Enclosure shall have (3) three integrated 1/4-20 mounting points. Dimensions shall be 12.75 in. high, 6.25 in. wide, and 7.00 in. deep. The system weight shall be 8 lbs (3.6kg). The loudspeaker system shall be the Clair Brothers FX² speaker.

Clair Brothers Asia | 143 Cecil Street, GB building Singapore 069542

Due to constant research, development and improvements all specifications are subject to change without notice.