



CS21 Subwoofer



APPLICATIONS

Live Sound Reinforcement
Theaters
Houses of Worship
Dance Clubs
Cruise Ships
Entertainment Venues

FEATURES

Compact Size
High Output
LF Device: 21 in. (533.4mm)
Epoxy Mastic Finish
EP-4 Connector

GENERAL DESCRIPTION

The Clair Brothers CS21 is a sub-low frequency loudspeaker designed to provide maximum sub bass reinforcement and low frequency augmentation in fixed installations. Its compact size makes it an ideal companion to two-way and three-way full range installation loudspeakers such as CAT214, R2, R3 and R4. It is one of the most compact, 21" installation subwoofers available today.

CS21's unique features are a compact 30" cube design and symmetrical 4-port configuration to extend the low frequency response of the 21" woofer.

The high performance 21" woofer provides 100 dB SPL for a 1 watt input measured at 1 meter, with usable in-room frequency response down to 32Hz. Its compact size enables the box to be placed in permanent applications without being obtrusive.

As with all Clair Brothers products, the CS21 is constructed of the finest Baltic birch plywood with a rugged epoxy finish to withstand the most demanding conditions.

The speaker grille is constructed of a durable 14 gauge steel which is powder coated and backed with a high grade reticulated foam.

OPTIONS

CS21-WR – Weather Resistant Model
Custom Rigging
Custom Colors Available
4-Position Terminal Strip

CS21 Subwoofer



AUDIO SPECIFICATIONS

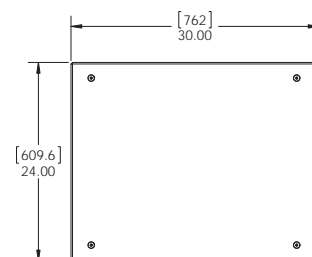
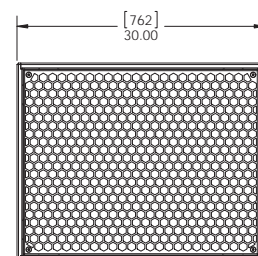
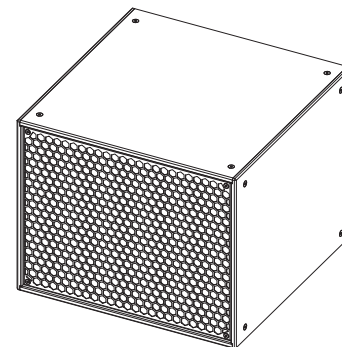
Loudspeaker Type	Single Driver Subwoofer	
Frequency Response (+/- 2dB)	Single Cabinet	39Hz–180Hz
	-10 dB Point	32Hz
Recommended Power Amplifier	1200–1800W @ 8 Ohms	
Sensitivity (1 Watt @ 1 Meter)	LF	100 dB SPL
Maximum Output	Cont	128 dB SPL
	Peak	131 dB SPL
Drivers	LF	(1) 21 in. (533.4mm)
Nominal Impedance	LF	8 Ohms
Power Handling	Cont	700W
	Peak	1400W
Input Connection	Standard	(2) EP-4 Connectors (1 Male, 1 Female)
	Optional	(1) 4-Position Terminal Strip

MECHANICAL SPECIFICATIONS

Enclosure	Shell	18mm Baltic Birch
	Finish	Black Epoxy Mastic
Grille	Perforated Steel, Foam Backed	
Dimensions	Height	24.00 in. (609.6mm)
	Width	30.00 in. (762.0mm)
	Depth	30.00 in. (762.0mm)
Weight	153 lbs. (69.4kg)	
Shipping Weight	165 lbs. (74.8kg)	

Note: All wattage figures are calculated using the rated nominal impedance.

Clair Brothers products are designed to perform optimally by utilizing factory recommended proprietary DSP settings.



RIGHT VIEW

CS21 EP-4 Pin Configuration

Pin	Use
1	Low (-)
2	Low (+)
3	Open (-)
4	Open (+)

ARCHITECT AND ENGINEER SPECIFICATIONS

The loudspeaker shall be a subwoofer system containing a total of one 21" driver in a single-chamber vented enclosure. Power handling capacity shall be 700 watts RMS nominal and 1400 watts RMS peak. The low frequency driver shall be 21" diameter capable of handling 700 watts of pink noise with a 6 dB crest factor for 8 hours (as per EIA RS-426-A standard). The pass-band frequency range shall be, at minimum, 39–180Hz with -10dB at 32Hz. The single 21" transducer shall have a 4" diameter edge-wound copper ribbon voice coil with a well-vented magnet structure. The motor assembly shall have high thermal capacity and low thermal power compression characteristics. The enclosure shall be constructed of 18mm, 13-ply Baltic birch and be finished with black epoxy mastic. The cabinet shall include 16 suspension points. Dimensions shall be 24.00" high, 30.00" wide, and 30.00" deep. The system weight shall be 153 lbs. (69.4kg). The loudspeaker system shall be the Clair Brothers CS21.

Clair Brothers Asia | 143 Cecil Street, GB building Singapore 069542

Due to constant research, development and improvements all specifications are subject to change without notice.