



CS218-M Mobile Subwoofer



APPLICATIONS

Live Sound Reinforcement
Entertainment Venues
Theaters
Cruise Ships
Dance Clubs
Houses of Worship

FEATURES

LF Devices: (2) 18 in. (457.2mm)
Integrated Transport Dolly
Black Epoxy Mastic Finish
EP-4 Connector

GENERAL DESCRIPTION

The Clair Brothers CS218-M is the latest dual 18" sub-low frequency loudspeaker designed to provide maximum sub bass reinforcement and low frequency augmentation in mobile applications.

The CS218-M's high-output makes it an ideal companion for a variety of Clair Brothers' full range loudspeakers such as i212, CAT214, R3T and R4.

The two complementary 18" transducers and ports minimize thermal power compression and airflow turbulence for unmatched performance. The 18" transducers have weather-resistant cones with exceptional linear excursion. The result is a high power handling, high-performance subwoofer that provides tightly controlled low frequency extension.

As with all Clair Brothers products, the CS218-M is constructed of the finest Baltic birch plywood with a rugged epoxy mastic finish to withstand the most demanding conditions.

The speaker grille is constructed of a durable 14 gauge steel which is powder coated and backed with a high-grade reticulated foam. Four ergonomically designed handles and an integrated dolly board facilitate transport.

OPTIONS & ACCESSORIES

CS218-WR – Weather Resistant Model
CS218 – Installation Model
Custom Colors Available
Accessory: Transport Soft Cover

CS218-M Mobile Subwoofer



AUDIO SPECIFICATIONS

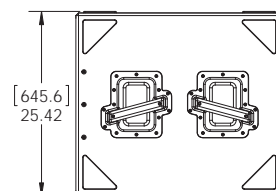
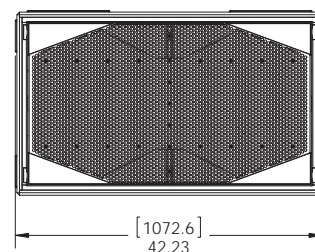
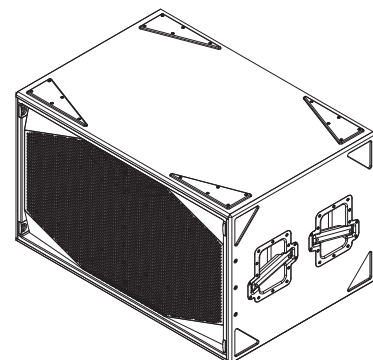
Loudspeaker Type		Dual 18in. Sub-Low
Frequency Response (+/- 2dB)	Single Cabinet -10 dB Point	38Hz–180Hz 32Hz
Recommended Power Amplifier		2400–4800W @ 4 Ohms
Sensitivity (1 Watt @ 1 Meter)	LF	103 dB SPL
Maximum Output	Cont. Peak	131 dB SPL 134 dB SPL
Drivers	LF	(2) 18 in. (457.2mm)
Nominal Impedance	LF	(2) 8 Ohms
Power Handling	Nominal Peak	1400W 2800W
Input Connection	Standard	(2) EP-4 Connectors (1 Male, 1 Female)

MECHANICAL SPECIFICATIONS

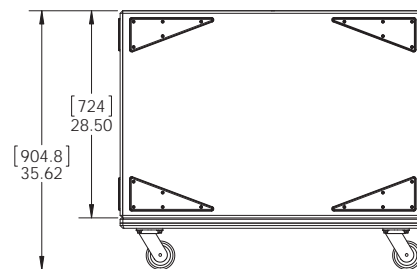
Enclosure	Shell Finish	18mm Baltic Birch Black Epoxy Mastic
Grille		Perforated Steel, Foam Backed
Dimensions	Height Width Depth	25.42 in. (645.6mm) 42.23 in. (1072.6mm) 28.50 in. (724.0mm)
Weight (speaker alone)		229 lbs. (103.9kg)
Weight (speaker + dolly)		264 lbs. (120kg)
Shipping Weight		TBD

Note: All wattage figures are calculated using the rated nominal impedance.

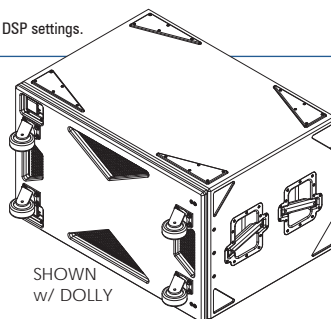
Clair Brothers products are designed to perform optimally by utilizing factory recommended proprietary DSP settings.



RIGHT VIEW



TOP VIEW SHOWN w/ DOLLY



SHOWN
w/ DOLLY

CS218-M EP4 Pin Configuration

Pin	Use
1	Low 1 (-)
2	Low 1 (+)
3	Low 2 (-)
4	Low 2 (+)

ARCHITECT AND ENGINEER SPECIFICATIONS

The loudspeaker shall be a subwoofer system containing a total of two 18" drivers in a dual-chamber vented enclosure. Power handling capacity shall be 1400 watts RMS nominal and 2800 watts RMS peak. The low frequency drivers each shall be 18" diameter capable of handling 700 watts of pink noise with a 6 dB crest factor for 8 hours (as per EIA RS-426-A standard). The pass-band frequency range shall be at minimum, 38–180Hz with -10dB at 32Hz. Each of the two 18" transducers shall have a 4" diameter edge-wound copper ribbon voice coil with a well-vented magnet structure. The motor assembly shall have high thermal capacity and low thermal power compression characteristics. The enclosure shall be constructed of 18mm, 13-ply Baltic birch and be covered with an epoxy mastic finish. The cabinet bracing shall be that of a gusset design providing uniform panel rigidity. The cabinet shall include 16 suspension points and an integrated transport dolly. Dimensions shall be 25.42" high, 42.23" wide, and 28.50" deep. The system weight shall be 229 lbs (103.9kg) for loudspeaker alone, and 264 lbs (120kg) including dolly. The loudspeaker system shall be the Clair Brothers CS218-M speaker.

Clair Brothers Asia | 143 Cecil Street, GB building Singapore 069542

Due to constant research, development and improvements all specifications are subject to change without notice.