



i218-M Mobile Line Array



APPLICATIONS

Live Sound Reinforcement
Entertainment Venues
Houses of Worship
Cruise Ships
Stadiums / Arenas
Night Clubs

FEATURES

Three-Way Active
Max Output 145 dB
38Hz to 20kHz Response
LF Devices: (2) 18 in. (457.2mm)
MF Devices: (6) 6 in. (152.4mm)
HF Devices: (3)
Exit: 1.4 in. (35.6mm)
Voice Coil Diam: 3.0 in. (76.2mm)
90° H x 10° V Coverage
Integral Bimodal Rigging
Epoxy Mastic Finish
EP-8 Connector

GENERAL DESCRIPTION

The i218-M is Clair Brothers mobile large format innovation in line array technology. Built for large environments where maximum output (145dB max) and coverage are required. It incorporates an all new approach in modular midrange and high frequency technology, providing excellent controlled directivity. The centrally located mid/high modules provide 90° horizontal by 10° vertical coverage and are symmetrically flanked by the i218-M low frequency sections. Each 18 in. low frequency driver is front loaded in independent tuned vented chambers.

i218-M enclosures are equipped with structurally integrated bimodal rigging that allow the line array's vertical coverage to be customized to meet the specific needs of an application. Rear rigging hardware allows for angle adjustments between 0° and 10°. The i218-M standard input connector is the EP-8.

As with all Clair Brothers speaker products, the i218-M is constructed with the finest Baltic birch plywood and finished with a rugged exterior black epoxy mastic finish to withstand the most demanding mobile conditions.

OPTIONS & ACCESSORIES

i218-LT – Long Throw Model (see i218-LT Spec Sheet)
Proprietary DSP + Amplification Rack Packages
Accessories: Ground Stack Rigging
Soft Cover and Dolly Transport
i218-M + i218-LT – System Packages Available
Custom Colors Available

i218-M Mobile Line Array



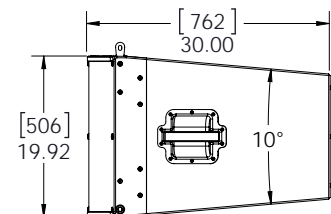
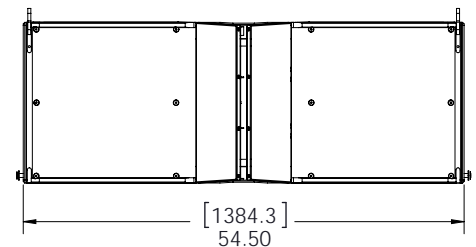
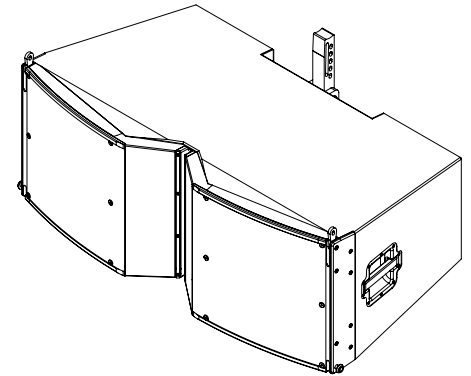
AUDIO SPECIFICATIONS

Loudspeaker Type	Line Array Element	Three-Way Active
Frequency Response (+/- 2dB)	Single Cabinet	38Hz–20kHz
Recommended Power Amplifier	LF MF/HF	2000–4000W @ 8 Ohms 1000–2000W @ 8 Ohms
Sensitivity (1 Watt @ 1 Meter)	LF MF HF	103 dB SPL 107.9 dB SPL 108 dB SPL
Maximum Output	Bandpass Dependent Peak Cont.	145 dB SPL 139 dB SPL 136 dB SPL
Drivers	LF MF HF	(2) 18 in. (457.2mm) (6) 6 in. (152.4mm) (3) Exit: 1.4 in. (35.6mm) Voice coil diameter: 3.0 in. (76.2mm)
Nominal Impedance	LF MF HF	2 x 8 Ohms 5.3 Ohms 5.3 Ohms
Power Handling	LF MF HF	2800W 1080W 480W
Dispersion		90° H x 10° V
Input Connection		(2) EP-8 Connectors (1 Male, 1 Female)

MECHANICAL SPECIFICATIONS

Enclosure	Shell Finish	18mm Baltic Birch Black Epoxy Mastic
Grille		Perforated Steel, Foam Backed
Dimensions	Front Height Rear Height Width Depth	19.92 in. (506.0mm) 15.48 in. (393.2mm) 54.50 in. (1384.3mm) 30.00 in. (762.0mm)
Weight		275 lbs. (124.7kg)
Shipping Weight		297 lbs. (134.7kg)

Note: All wattage figures are calculated using the rated nominal impedance.
Clair Brothers products are designed to perform optimally by utilizing factory recommended proprietary DSP settings.



i218-M EP-8 Pin Configuration

Pin	Use	Pin	Use
1	Low 1 (-)	5	Mid (-)
2	Low 1 (+)	6	Mid (+)
3	Low 2 (-)	7	High (-)
4	Low 2 (+)	8	High (+)

ARCHITECT AND ENGINEER SPECIFICATIONS

The loudspeaker system shall be a three-way active, line array component cabinet. The front of the enclosure shall be fitted with a 16 gauge perforated steel grille backed with foam. The system shall have an amplitude response of 38Hz to 20kHz (+/- 2 dB). The loudspeaker system shall be symmetrically loaded with two 18" woofers and six 6" midrange transducers. The low frequency drivers shall be 18" nominal diameter capable of handling 1400W of power as per AES Standard. The low frequency drivers shall each be mounted in independent tuned vented chambers. The mid/high frequency section shall be modular with each module containing one high frequency waveguide and two midrange transducers. The system shall contain three mid/high frequency modules. The midrange drivers shall be 6" nominal diameter capable of 240W of power as per AES Standard. The high frequency horn section shall be centrally located within the enclosure and shall feature 1.4" exit / 3" voice coil diameter compression drivers mounted to a waveguide and horn assembly that provides a 90° H X 10° V dispersion. The rigging shall be structurally integrated into the enclosure construction and shall permit the deployment of the cabinet into typical line array configurations. The loudspeaker enclosure shall be 18mm, 13-ply Baltic birch plywood. The cabinet shall be finished using black epoxy mastic finish. The loudspeaker shall be 19.92" high x 54.50" wide x 30.00" deep and weigh 275 lbs. (124.7kg). The loudspeaker system shall be the Clair Brothers i218-M speaker.

CLAIR BROTHERS • ONE CLAIR BOULEVARD • MANHEIM, PA 17545 • 717-665-4000 • WWW.CLAIRBROTHERS.COM

CBAS20140827

Due to constant research, development and improvements all specifications are subject to change without notice.

